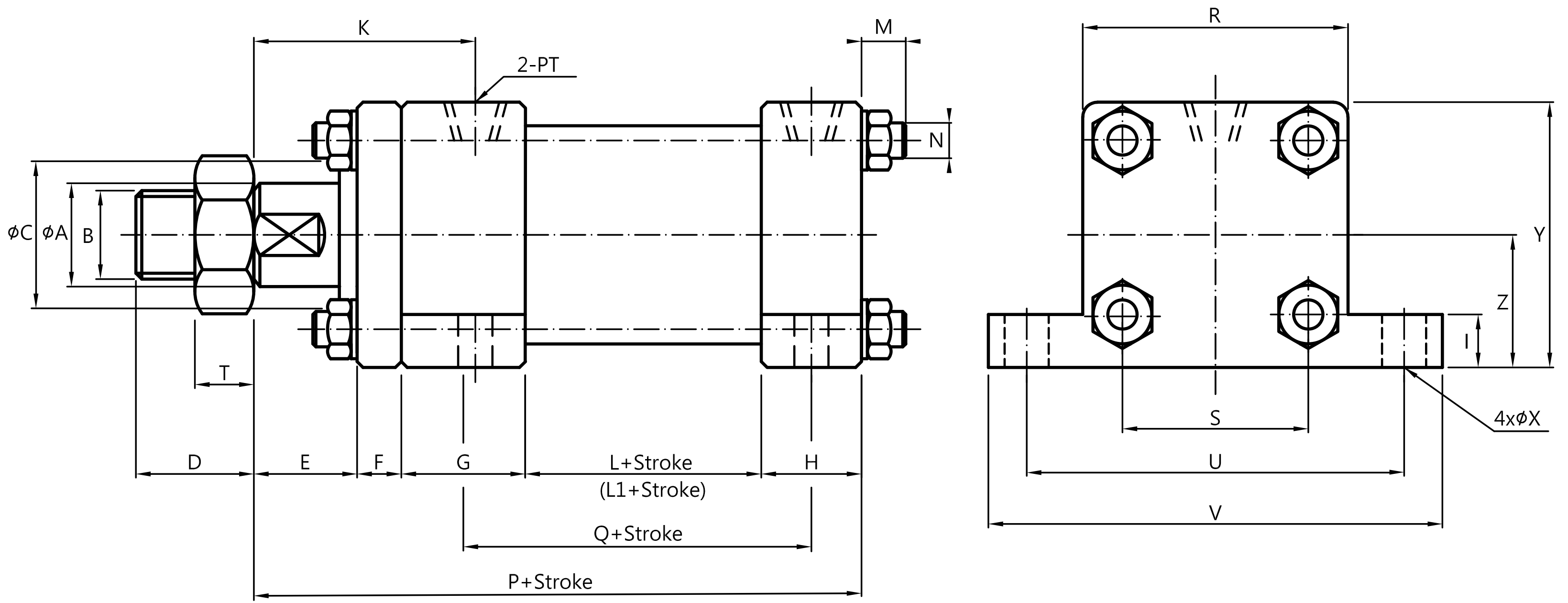
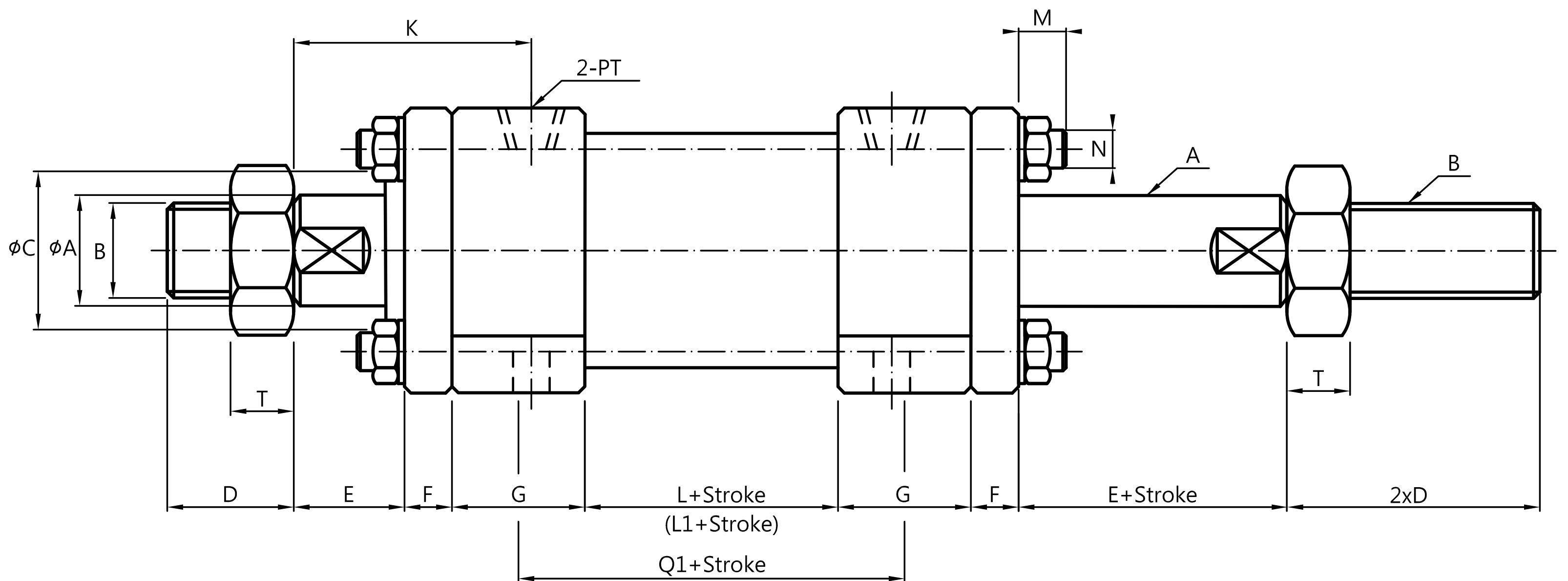


OJ LA Type I



OJ LA Type II



註記：L1感應式油壓缸基本長度

Note: Basic length of L1 induction hydraulic cylinder

缸徑 Bore dia.	活塞桿 Rod series.	本體尺寸 Main body size & 安裝相關尺寸 Mounting dimension																									
		ØA	B	ØC	D	E	F	G	H	K	L	L1	M	N	P	PT	Q	Q1	R	S	I	U	V	ØX	Y	Z	T
Ø40	C	20	M18P1.5	35	25	20	11	36	26	54	50	55	13	M10P1.5	143	1/4"	81	86	65	45	13	90	112	11	65	32.5	15
	B	25	M22P1.5	40	30	20	11	36	26	54	50	55	13	M10P1.5	143	1/4"	81	86	65	45	13	90	112	11	65	32.5	17
Ø50	C	25	M22P1.5	40	30	30	13	42	34	70	50	55	13	M10P1.5	169	3/8"	88	92	75	52	15	109	132	13	75	37.5	17
	B	30	M26P1.5	45	35	30	13	42	34	70	50	55	13	M10P1.5	169	3/8"	88	92	75	52	15	109	132	13	75	37.5	18
Ø63	C	30	M26P1.5	45	35	35	15	42	34	77	50	55	15	M12P1.75	176	3/8"	88	92	90	63	18	128	154	15	90	45	18
	B	35	M30P1.5	50	40	35	15	42	34	77	50	55	15	M12P1.75	176	3/8"	88	92	90	63	18	128	154	15	90	45	20
Ø80	C	35	M30P1.5	50	40	35	18	46	40	79	50	60	17	M16P1.5	189	1/2"	93	96	110	80	20	152	184	18	110	55	20
	B	40	M35P1.5	55	45	35	18	46	40	79	50	60	17	M16P1.5	189	1/2"	93	96	110	80	20	152	184	18	110	55	20
Ø100	C	45	M40P1.5	60	45	40	20	50	40	90	69	74	19	M18P1.5	219	1/2"	114	119	135	98	24	178	210	20	135	67.5	20
	B	50	M45P1.5	65	55	40	20	50	40	90	69	74	19	M18P1.5	219	1/2"	114	119	135	98	24	178	210	20	135	67.5	20
Ø125	C	50	M45P1.5	65	55	45	24	58	48	104	69	74	21	M22P1.5	244	3/4"	122	127	165	122	28	211	250	24	165	82.5	20
	B	60	M50P2.0	75	65	45	24	58	48	104	69	74	21	M22P1.5	244	3/4"	122	127	165	122	28	211	250	24	165	82.5	20
Ø150	C	60	M50P2.0	75	60	50	28	58	48	113	69	74	23	M24P1.5	253	3/4"	122	127	195	148	32	255	300	28	195	97.5	20
	B	70	M60P2.0	85	80	50	28	58	48	113	69	74	23	M24P1.5	253	3/4"	122	127	195	148	32	255	300	28	195	97.5	20
Ø180	C	70	M60P2.0	85	110	55	33	68	58	127	90	90	25	M30P1.5	294	1"	153	158	235	182	37	300	354	33	235	117.5	20
	B	80	M70P2.0	100	140	55	33	68	58	127	90	90	25	M30P1.5	294	1"	153	158	235	182	37	300	354	33	235	117.5	20
Ø200	C	80	M70P2.0	100	120	55	37	68	58	137	90	90	27	M32P2.0	298	1"	153	158	262	200	42	326	385	33	262	131	20
	B	100	M90P2.0	120	150	55	37	68	58	137	90	90	27	M32P2.0	298	1"	153	158	262	200	42	326	385	33	262	131	20
Ø224	C	100	M90P2.0	120	140	60	41	68	58	146	90	90	29	M32P2.0	307	1"	153	158	292	225	47	360	420	36	292	146	20
	B	110	M100P2.0	130	180	60	41	68	58	146	90	90	29	M32P2.0	307	1"	153	158	292	225	47	360	420	36	292	146	20
Ø250	C	110	M100P2.0	130	150	65	46	68	58	169	90	90	31	M38P2.0	327	1 1/4"	153	158	325	250	52	405	476	42	325	162.5	20
	B	125	M110P2.0	145	195	65	46	68	58	169	90	90	31	M38P2.0	327	1 1/4"	153	158	325	250	52	405	476	42	325	162.5	20