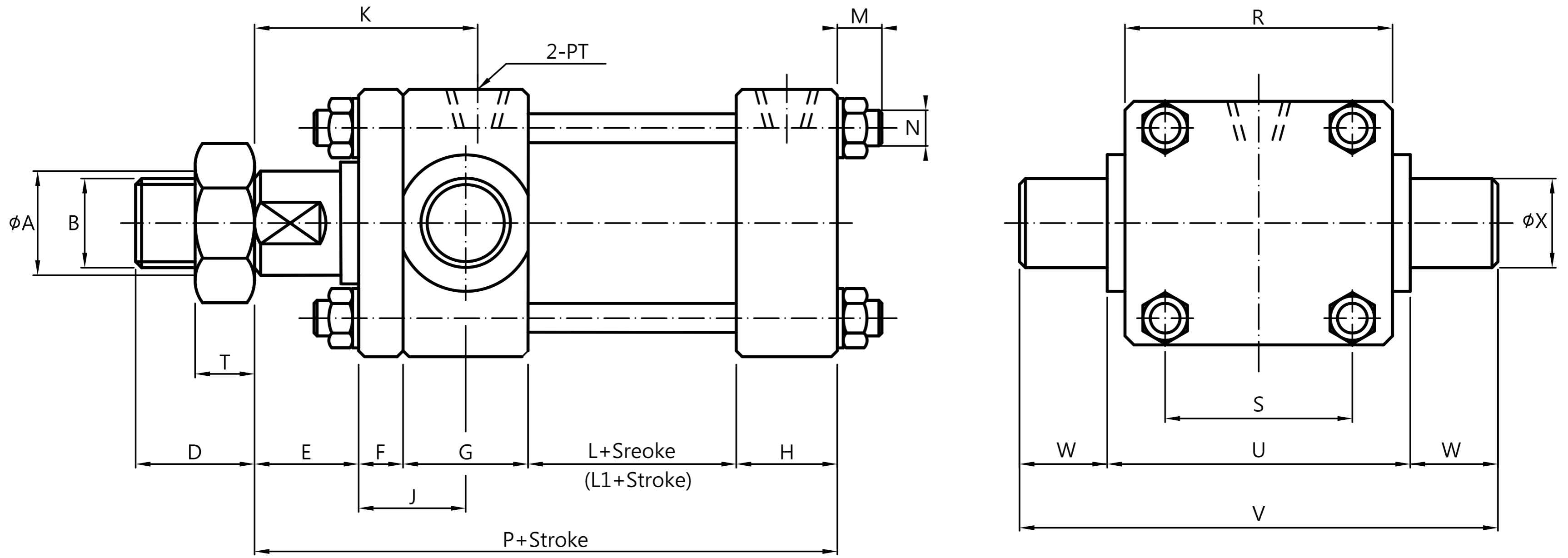
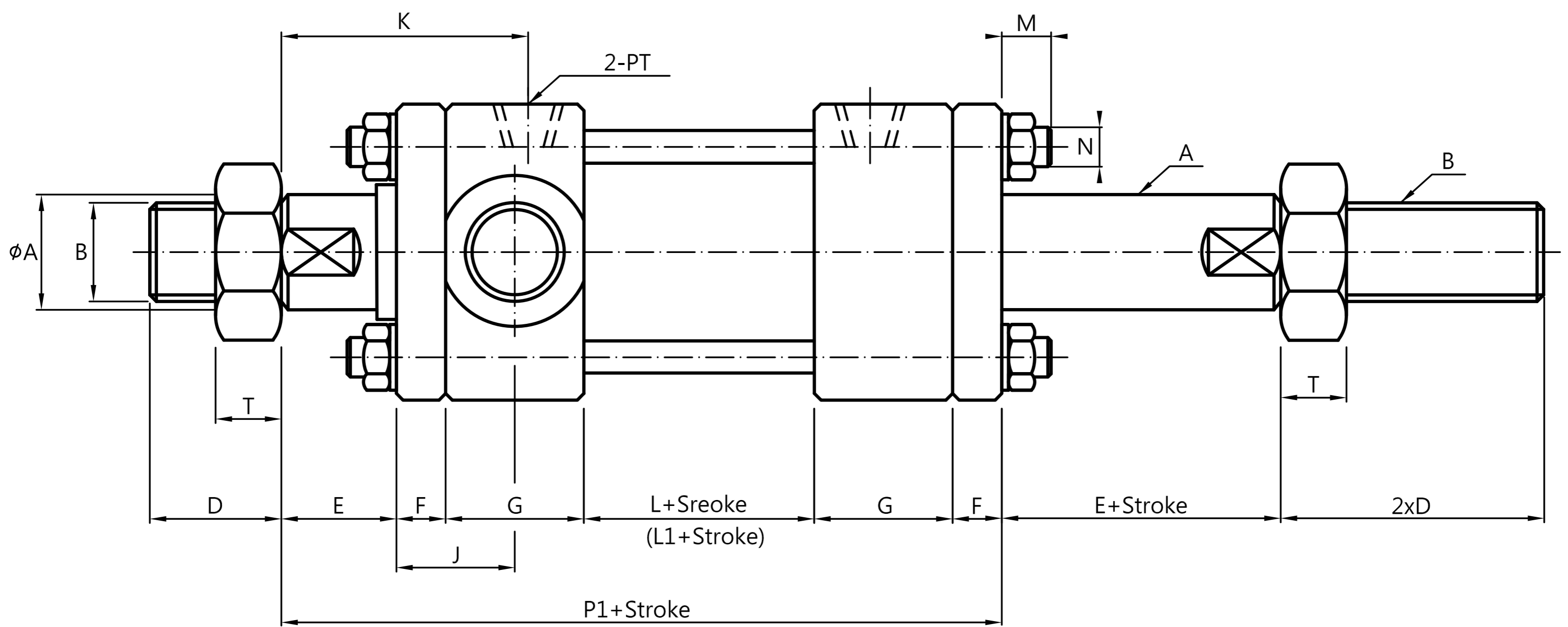


OJ TA Type I



OJ TA Type II



註記：L1感應式油壓缸基本長度

Note: Basic length of L1 induction hydraulic cylinder

缸徑 Bore dia.	活塞桿 Rod series.	本體尺寸 Main body size & 按裝相關尺寸 Mounting dimension																						
		ϕA	B	D	E	F	G	H	J	K	L	L1	M	N	P	P1	PT	R	S	U	V	W	ϕX	T
Ø40	C	20	M18P1.5	25	20	11	36	26	29	54	50	55	13	M10P1.5	143	164	1/4"	65	45	69	109	20	20	15
	B	25	M22P1.5	30	20	11	36	26	29	54	50	55	13	M10P1.5	143	164	1/4"	65	45	69	109	20	20	17
Ø50	C	25	M22P1.5	30	30	13	42	34	34	68	50	55	13	M10P1.5	169	190	3/8"	75	52	85	135	25	25	17
	B	30	M26P1.5	35	30	13	42	34	34	68	50	55	13	M10P1.5	169	190	3/8"	75	52	85	135	25	25	18
Ø63	C	30	M26P1.5	35	35	15	42	34	36	75	50	55	15	M12P1.75	176	199	3/8"	90	63	98	158	30	30	18
	B	35	M30P1.5	40	35	15	42	34	36	75	50	55	15	M12P1.75	176	199	3/8"	90	63	98	158	30	30	20
Ø80	C	35	M30P1.5	40	35	18	46	40	41	79	50	60	17	M16P1.5	189	213	1/2"	110	80	118	178	30	30	20
	B	40	M35P1.5	45	35	18	46	40	41	79	50	60	17	M16P1.5	189	213	1/2"	110	80	118	178	30	30	20
Ø100	C	45	M40P1.5	45	40	20	50	40	45	90	69	74	19	M18P1.5	219	249	1/2"	135	98	145	225	40	40	20
	B	50	M45P1.5	55	40	20	50	40	45	90	69	74	19	M18P1.5	219	249	1/2"	135	98	145	225	40	40	20
Ø125	C	50	M45P1.5	55	45	24	58	48	53	104	69	74	21	M22P1.5	244	278	3/4"	165	122	175	275	50	50	20
	B	60	M50P2.0	65	45	24	58	48	53	104	69	74	21	M22P1.5	244	278	3/4"	165	122	175	275	50	50	20
Ø150	C	60	M50P2.0	60	50	28	58	48	57	113	69	74	23	M24P1.5	253	291	3/4"	195	148	206	332	63	63	20
	B	70	M60P2.0	80	50	28	58	48	57	113	69	74	23	M24P1.5	253	291	3/4"	195	148	206	332	63	63	20
Ø180	C	70	M60P2.0	110	55	33	68	58	67	127	90	90	25	M30P1.5	304	347	1"	235	182	243	403	80	80	20
	B	80	M70P2.0	140	55	33	68	58	67	127	90	90	25	M30P1.5	304	347	1"	235	182	243	403	80	80	20
Ø200	C	80	M70P2.0	120	55	37	68	58	71	137	90	90	27	M32P2.0	308	355	1"	262	200	272	452	90	90	20
	B	100	M90P2.0	150	55	37	68	58	71	137	90	90	27	M32P2.0	308	355	1"	262	200	272	452	90	90	20
Ø224	C	100	M90P2.0	140	60	41	68	58	75	146	90	90	29	M32P2.0	317	368	1"	292	225	300	500	100	100	20
	B	110	M100P2.0	180	60	41	68	58	75	146	90	90	29	M32P2.0	317	368	1"	292	225	300	500	100	100	20
Ø250	C	110	M100P2.0	150	65	46	68	58	80	169	90	90	30	M38P2.0	327	383	1 1/4"	325	250	335	535	100	100	20
	B	125	M110P2.0	195	65	46	68	58	80	169	90	90	30	M38P2.0	327	383	1 1/4"	325	250	335	535	100	100	20