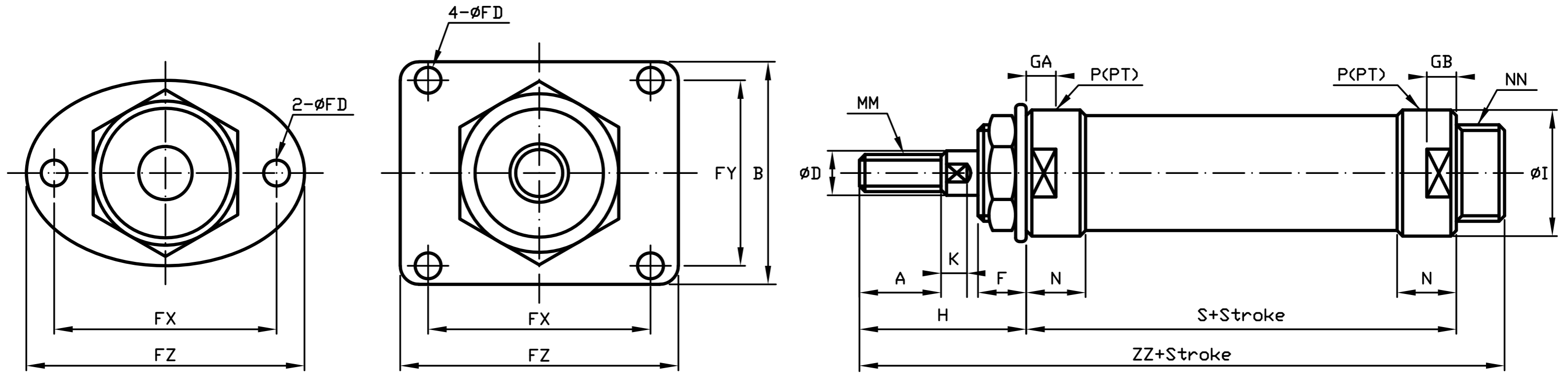


CMFA Type 前後端固定型



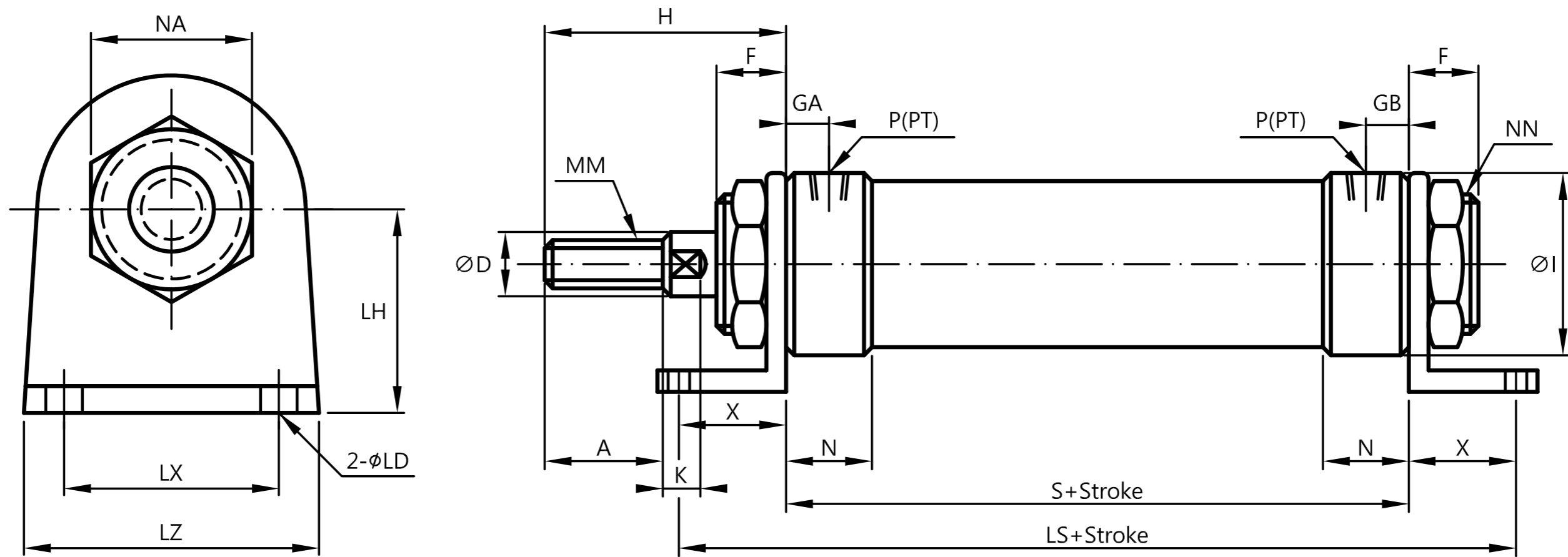
複動 Double Acting

缸徑 Bore dia.	行程範圍 Stroke range	A	∅D	F	GA	GB	∅I	K	MM	N	NN	P	S	H	∅FD	B	FX	FY	FZ
∅20	-300	18	10	13	8	8	28	5	M8×1.25	16	M20×1.5	1/8"	68	41	7	-	62	-	75
∅25	-300	22	12	13	8	8	34	7	M10×1.25	16	M26×1.5	1/8"	68	45	7	-	62	-	75
∅30	-300	22	12	13	8	8	38	7	M10×1.25	16	M26×1.5	1/8"	68	45	7	-	62	-	75
∅40	-300	24	16	16	11	11	50	8	M12×1.25	22	M32×2.0	1/4"	89	50	7	52	66	36	82

單動 Single Acting

缸徑 Bore dia.	行程範圍 Stroke range	A	∅D	F	GA	GB	∅I	K	MM	N	NN	P	S				H
													25	50	75	100	
∅20	-300	18	10	13	8	8	28	5	M8×1.25	16	M20×1.5	1/8"	85	103	127	-	41
∅25	-300	22	12	13	8	8	34	7	M10×1.25	16	M26×1.5	1/8"	85	98	120	-	45
∅30	-300	22	12	13	8	8	38	7	M10×1.25	16	M26×1.5	1/8"	88	105	124	150	45
∅40	-300	24	16	16	11	11	50	8	M12×1.25	22	M32×2.0	1/4"	99	124	137	153	50

CMLB Type 平置型



複動 Double Acting

缸徑 Bore dia.	行程範圍 Stroke range	A	∅D	F	GA	GB	∅I	K	MM	N	NA	NN	PT	S	X	∅LD	LH	LS	LX	LZ	H
∅20	-300	18	10	13	8	8	28	5	M8×1.25	16	24	M20×1.5	1/8"	68	20	6.8	25	108	40	55	41
∅25	-300	22	12	13	8	8	34	7	M10×1.25	16	30	M26×1.5	1/8"	68	20	6.8	28	108	40	55	45
∅30	-300	22	12	13	8	8	38	7	M10×1.25	16	32	M26×1.5	1/8"	68	20	6.8	28	108	40	55	45
∅40	-300	24	16	16	11	11	50	8	M12×1.25	22	46	M32×2.0	1/4"	89	23	7.0	30	135	55	75	50

單動 Single Acting

缸徑 Bore dia.	行程範圍 Stroke range	A	∅D	F	GB	∅I	K	MM	N	NN	P	S						LS						X	∅LD	LH	LT	LX	LZ	H
												25	50	75	100	125	150	25	50	75	100	125	150							
∅20	-300	18	10	13	8	28	5	M8×1.25	16	M20×1.5	1/8"	85	103	127	-	-	-	125	150	175	-	-	-	20	6.8	25	3.2	40	55	41
∅25	-300	22	12	13	8	34	7	M10×1.25	16	M26×1.5	1/8"	85	98	120	-	-	-	125	150	175	-	-	-	20	6.8	28	3.2	40	55	45
∅30	-300	22	12	13	8	38	7	M10×1.25	16	M26×1.5	1/8"	88	105	124	150	-	-	128	153	178	190	-	-	20	6.8	28	3.2	40	55	45
∅40	-300	24	16	16	11	50	8	M12×1.25	22	M32×2.0	1/4"	99	124	137	153	174	191	143	168	193	199	220	237	23	7.0	30	3.2	55	75	50