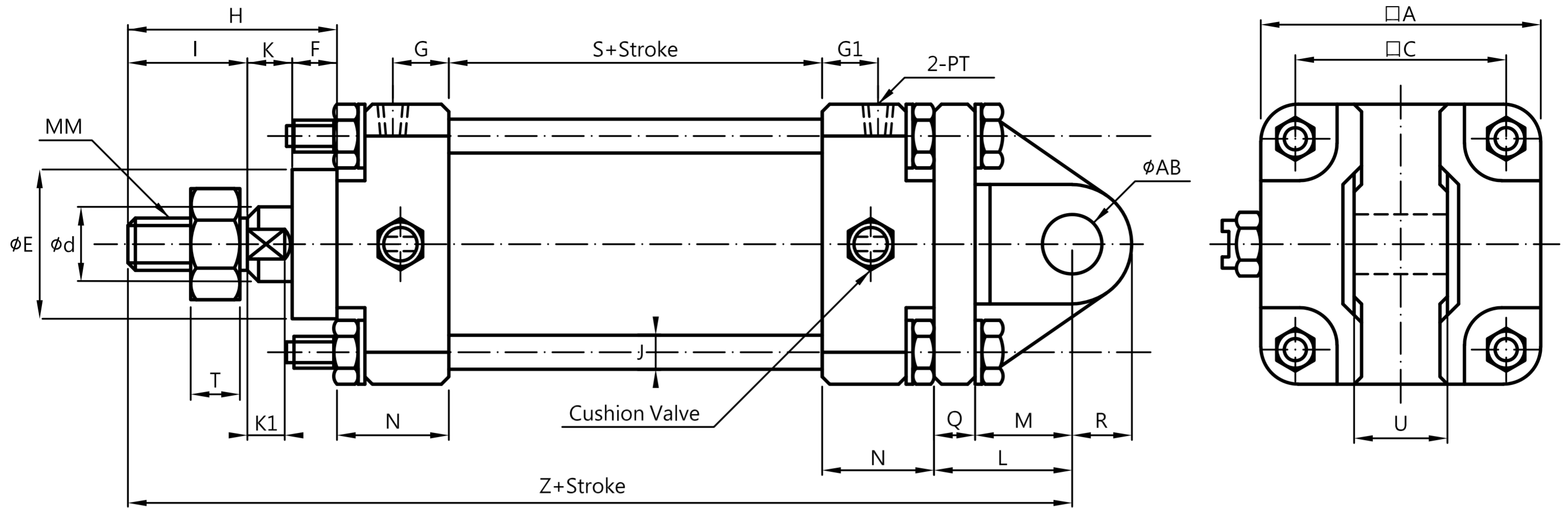
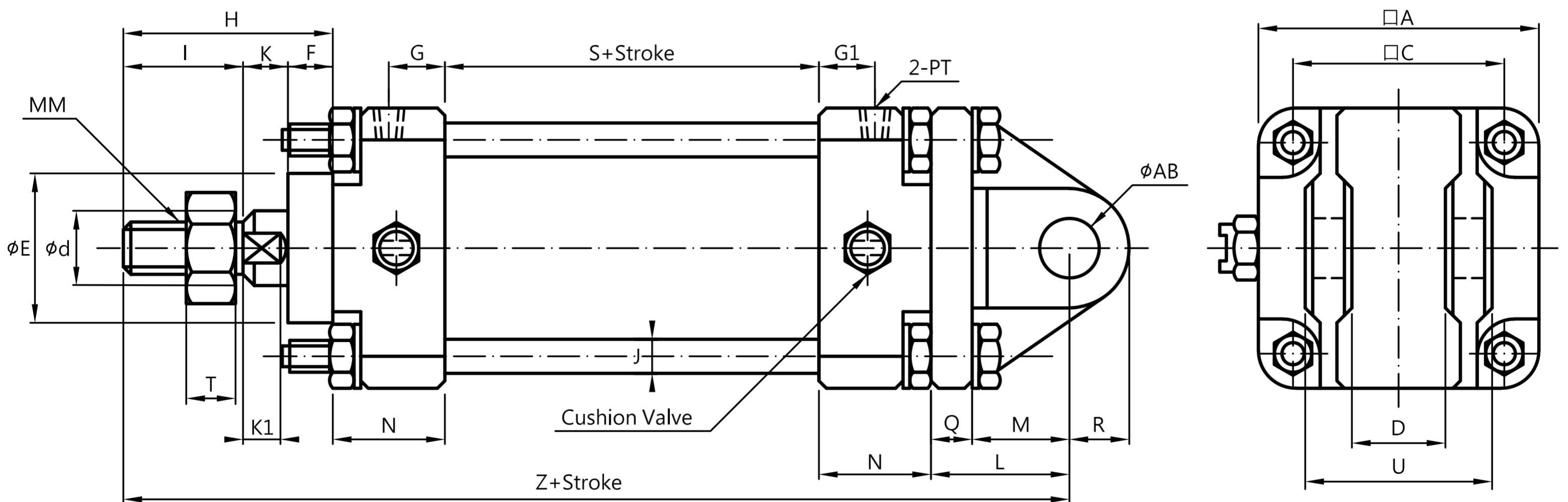


Single Clevis Type (CSCA Type)單耳型



缸徑 Bore dia.	本體相關尺寸 Main body size																按裝相關尺寸 Mounting dimension							
	□A	□C	□d	∅E	I	MM	K1	K	F	H	N	G	G1	S	PT	∅J	L	R	Q	M	∅AB	U	Z	T
∅40	53.5	38	16	35	24	M14×P1.5	10	12	20	56	30	12	12	33	1/4"	M6×P1.25	36	12	20	16	12 H10	15 ^{-0.1} _{-0.3}	185	10
∅50	66	47.5	20	40	32	M16×P1.5	10	10	12	54	26	12	12	45	1/4"	M8×P1.25	35	12	12	23	12 H10	18 ^{-0.1} _{-0.3}	186	13
∅63	75	56.5	20	40	32	M16×P1.5	10	10	12	54	30	15	15	45	1/4"	M8×P1.5	38	16	12	26	16 H10	25 ^{-0.1} _{-0.3}	197	13
∅80	95	70	25	50	40	M22×P1.5	12	13	12	65	37	15	15	50	3/8"	M10×P1.5	49	20	12	37	20 H10	30 ^{-0.1} _{-0.3}	238	10
∅100	113	84	30	52	40	M26×P1.5	12	12	15	67	37	15	15	50	3/8"	M10×P1.5	57	25	15	42	25 H10	35 ^{-0.1} _{-0.3}	248	13
∅125	140	115	35	60	40	M30×P1.5	15	17	20	77	40	18	15	64	1/2"	M14×P1.5	63	25	20	43	25 H10	35 ^{-0.1} _{-0.4}	284	15
∅150	171	133	35	60	50	M30×P1.5	15	15	30	95	40	19	18	64	1/2"	M14×P1.5	80	30	25	55	30 H10	40 ^{-0.1} _{-0.4}	319	15
∅180	214	172	50	85	60	M45×P1.5	20	40	25	125	50	25	25	80	3/4"	M18×P1.5	87	40	25	62	40 H10	50 ^{-0.1} _{-0.4}	392	10
∅200	225	182	50	110	60	M45×P1.5	20	40	25	125	50	25	25	80	3/4"	M18×P1.5	87	40	25	62	40 H10	50 ^{-0.1} _{-0.4}	392	10
∅250	275	225	60	120	70	M56×P2	25	50	30	150	50	30	30	80	3/4"	M22×P1.5	105	50	30	75	50 H10	60 ^{-0.1} _{-0.3}	435	30
∅300	330	270	70	120	80	M64×P2	30	60	30	170	55	30	30	80	1"	M30×P1.5	120	70	30	90	63 H10	75 ^{-0.1} _{-0.3}	480	30

Double Clevis Type (CSCB Type)雙耳型



缸徑 Bore dia.	本體相關尺寸 Main body size																按裝相關尺寸 Mounting dimension								
	□A	□C	□d	∅E	I	MM	K1	K	F	H	N	G	G1	S	PT	∅J	L	R	Q	M	∅AB	D	U	Z	T
∅40	53.5	38	16	35	24	M14×P1.5	10	12	20	56	30	12	12	33	1/4"	M6×P1.25	36	12	20	16	12 H10	15 ^{-0.1} _{-0.3}	30	185	10
∅50	66	47.5	20	40	32	M16×P1.5	10	10	12	54	26	12	12	45	1/4"	M8×P1.25	35	12	12	23	12 H10	18 ^{-0.1} _{-0.3}	35.5	186	13
∅63	75	56.5	20	40	32	M16×P1.5	10	10	12	54	30	15	15	45	1/4"	M8×P1.5	38	16	12	26	16 H10	25 ^{-0.1} _{-0.3}	50	197	13
∅80	95	70	25	50	40	M22×P1.5	12	13	12	65	37	15	15	50	3/8"	M10×P1.5	49	20	12	37	20 H10	30 ^{-0.1} _{-0.3}	63	238	10
∅100	113	84	30	52	40	M26×P1.5	12	12	15	67	37	15	15	50	3/8"	M10×P1.5	57	25	15	42	25 H10	35 ^{-0.1} _{-0.3}	71	248	13
∅125	140	115	35	60	40	M30×P1.5	15	17	20	77	40	18	15	64	1/2"	M14×P1.5	63	25	20	43	25 H10	35 ^{-0.1} _{-0.3}	64	284	15
∅150	171	133	35	60	50	M30×P1.5	15	15	30	95	40	19	18	64	1/2"	M14×P1.5	80	30	25	55	30 H10	40 ^{-0.1} _{-0.3}	80	319	15
∅180	214	172	50	85	60	M45×P1.5	20	40	25	125	50	25	25	80	3/4"	M18×P1.5	87	40	25	62	40 H10	50 ^{-0.1} _{-0.3}	100	392	10
∅200	225	182	50	110	60	M45×P1.5	20	40	25	125	50	25	25	80	3/4"	M18×P1.5	87	40	25	62	40 H10	50 ^{-0.1} _{-0.3}	100	392	10
∅250	275	225	60	120	70	M56×P2	25	50	30	150	50	30	30	80	3/4"	M22×P1.5	105	50	30	75	50 H10	60 ^{-0.1} _{-0.3}	126	435	30
∅300	330	270	70	120	80	M64×P2	30	60	30	170	55	30	30	80	1"	M30×P1.5	120	70	30	90	63 H10	75 ^{-0.1} _{-0.3}	160	480	30