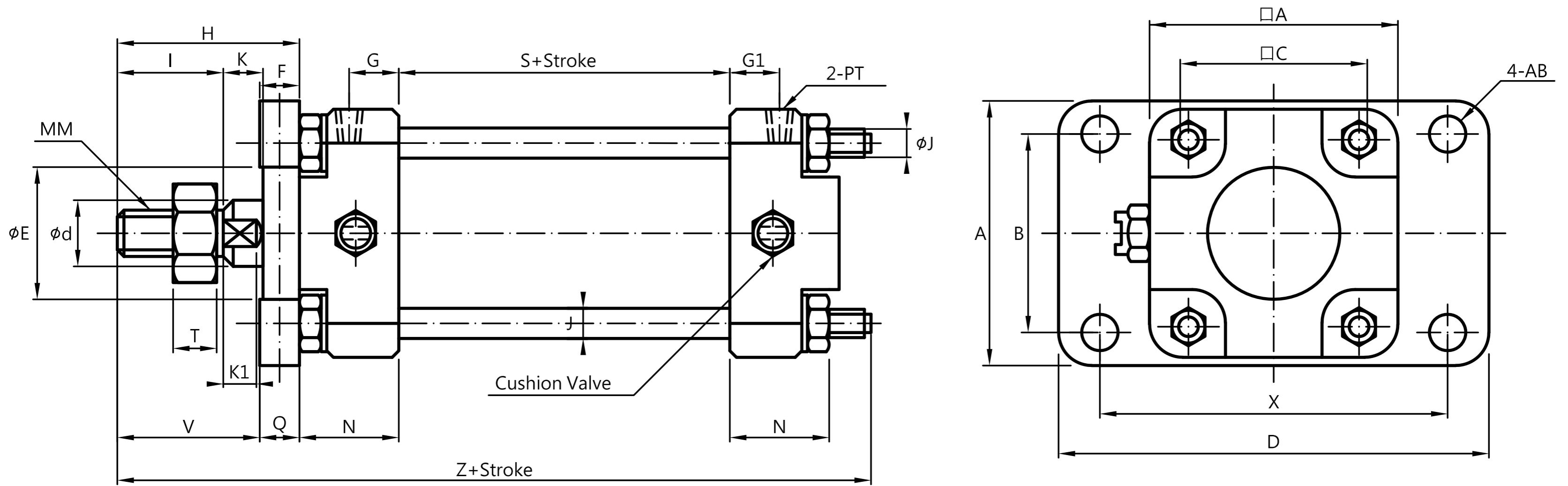
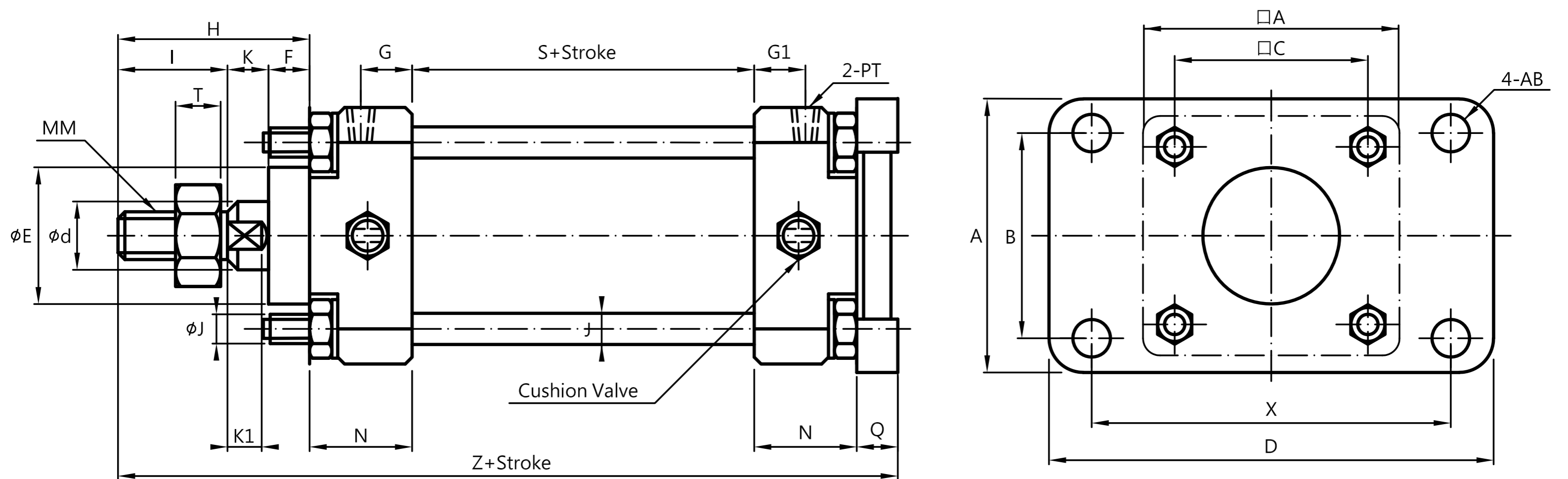


Front Flange Mounting Type (CSFA Type)前法蘭型



缸徑 Bore dia.	本體相關尺寸 Main body size																按裝相關尺寸 Mounting dimension									
	$\square A$	$\square C$	ϕd	ϕE	I	MM	K1	K	F	H	N	G	G1	S	PT	ϕJ	A	B	D	X	ϕAB	Q	V	Z	T	
Ø40	53.5	38	16	35	24	M14×P1.5	10	12	20	56	30	12	12	33	1/4"	M6×P1.25	62	42	100	80	9	20	36	154	10	
Ø50	66	47.5	20	40	32	M16×P1.5	10	10	12	54	26	12	12	45	1/4"	M8×P1.25	68	50	110	90	9	12	42	156	13	
Ø63	75	56.5	20	40	32	M16×P1.5	10	10	12	54	30	15	15	45	1/4"	M8×P1.5	80	60	130	105	11	12	42	164	13	
Ø80	95	70	25	50	40	M22×P1.5	12	13	12	65	37	15	15	50	3/8"	M10×P1.5	98	75	160	130	13.5	12	53	194	10	
Ø100	113	84	30	52	40	M26×P1.5	12	12	15	67	37	15	15	50	3/8"	M10×P1.5	114	92	180	150	13.5	15	52	196	13	
Ø125	140	115	35	60	40	M30×P1.5	15	17	20	77	40	18	15	64	1/2"	M14×P1.5	148	117	220	185	18	20	57	226	15	
Ø150	171	133	35	60	50	M30×P1.5	15	15	30	95	40	19	18	64	1/2"	M14×P1.5	170	120	270	220	18	25	65	244	15	
Ø180	214	172	50	85	60	M45×P1.5	20	40	25	125	50	25	25	80	3/4"	M18×P1.5	220	140	320	270	22	25	100	310	10	
Ø200	225	182	50	110	60	M45×P1.5	20	40	25	125	50	25	25	80	3/4"	M18×P1.5	225	150	335	280	24	25	100	310	10	
Ø250	275	225	60	120	70	M56×P2	25	50	30	150	50	30	30	80	3/4"	M22×P1.5	275	180	420	355	29	30	120	335	30	
Ø300	330	270	70	120	80	M64×P2	30	60	30	170	55	30	30	80	1"	M30×P1.5	330	212	475	400	33	30	140	365	30	

Rear Flange Mounting Type (CSFB Type)後法蘭型



缸徑 Bore dia.	本體相關尺寸 Main body size																按裝相關尺寸 Mounting dimension									
	$\square A$	$\square C$	ϕd	ϕE	I	MM	K1	K	F	H	N	G	G1	S	PT	ϕJ	A	B	D	X	ϕAB	Q	Z	T		
Ø40	53.5	38	16	35	24	M14×P1.5	10	12	20	56	30	12	12	33	1/4"	M6×P1.25	62	42	100	80	9	20	169	10		
Ø50	66	47.5	20	40	32	M16×P1.5	10	10	12	54	26	12	12	45	1/4"	M8×1.25	68	50	110	90	9	12	163	13		
Ø63	75	56.5	20	40	32	M16×P1.5	10	10	12	54	30	15	15	45	1/4"	M8×P1.5	80	60	130	105	11	12	171	13		
Ø80	95	70	25	50	40	M22×P1.5	12	13	12	65	37	15	15	50	3/8"	M10×P1.5	98	75	160	130	13.5	12	201	10		
Ø100	113	84	30	52	40	M26×P1.5	12	12	15	67	37	15	15	50	3/8"	M10×P1.5	114	92	180	150	13.5	15	206	13		
Ø125	140	115	35	60	40	M30×P1.5	15	17	20	77	40	18	15	64	1/2"	M14×P1.5	148	117	220	185	18	20	241	15		
Ø150	171	133	35	60	50	M30×P1.5	15	15	30	95	40	19	18	64	1/2"	M14×P1.5	170	120	270	220	18	25	264	15		
Ø180	214	172	50	85	60	M45×P1.5	20	40	25	125	50	25	25	80	3/4"	M18×P1.5	220	140	320	270	22	25	330	10		
Ø200	225	182	50	110	60	M45×P1.5	20	40	25	125	50	25	25	80	3/4"	M18×P1.5	225	150	335	280	24	25	330	10		
Ø250	275	225	60	120	70	M56×P2	25	50	30	150	50	30	30	80	3/4"	M22×P1.5	275	180	420	355	29	30	360	30		
Ø300	330	270	70	120	80	M64×P2	30	60	30	170	55	30	30	80	1"	M30×P1.5	330	212	475	400	33	30	390	30		