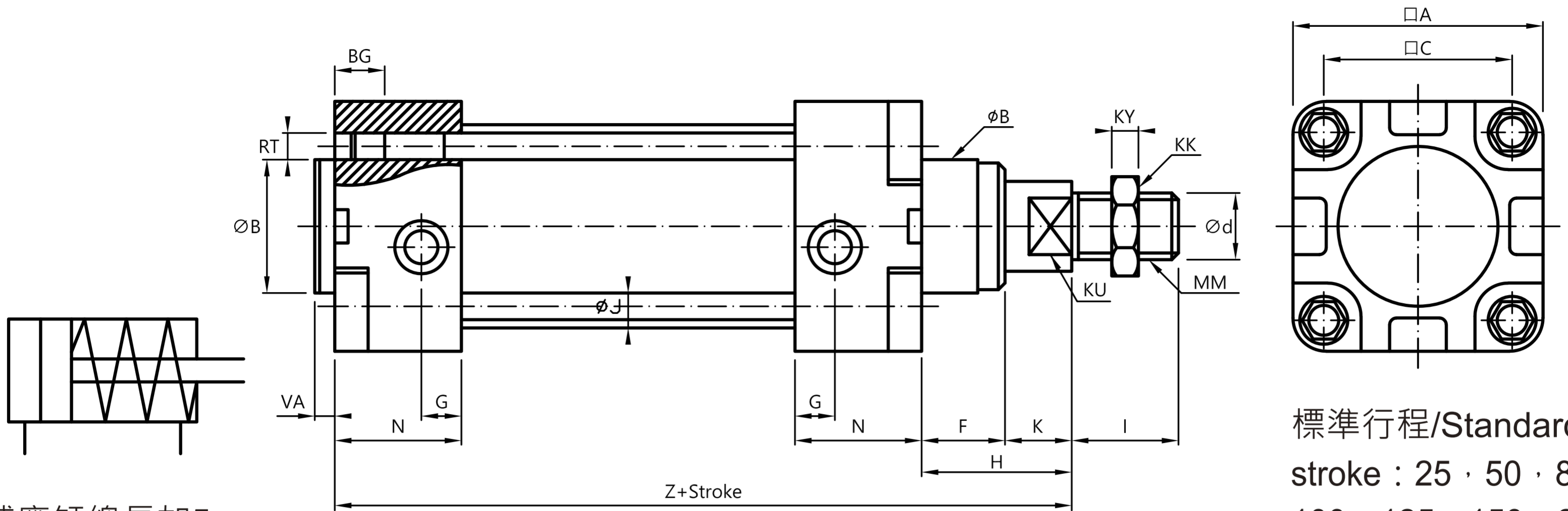


ISO Series

Single Acting Cylinder 單軸式



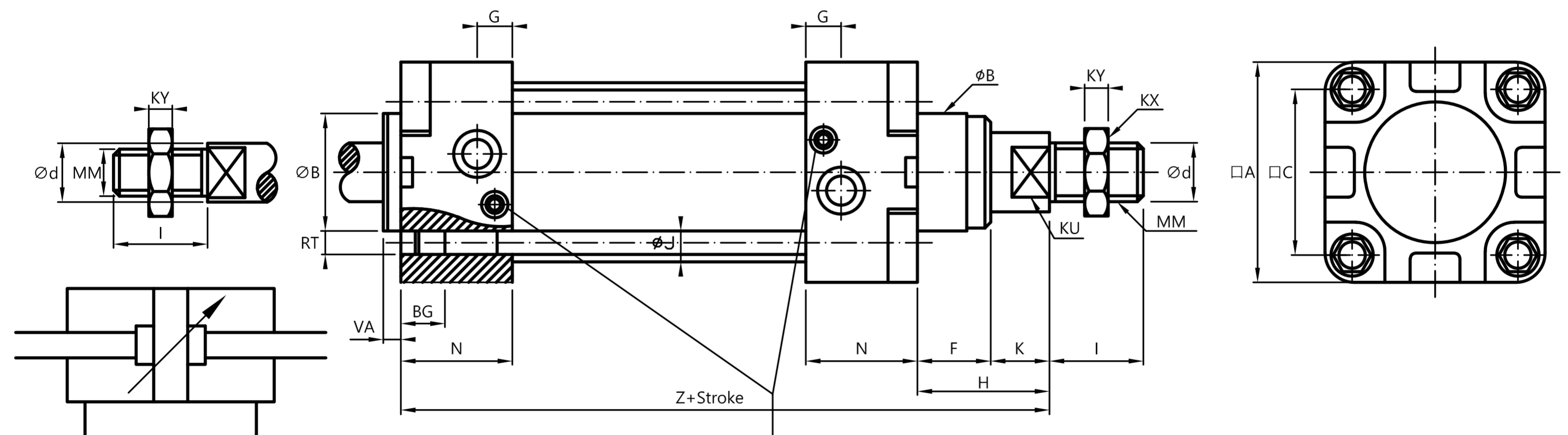
※感應缸總長加5mm

The total length for induction cylinder which must added 5mm.

標準行程/Standard stroke : 25 · 50 · 80 · 100 · 125 · 150 · 200 · 300 · 400 · 500

缸徑 Bore dia.	□A	□C	Ød	I	MM	K	F	H	ØB	ØJ	RT	BG	G	N	L4	KY	KX	KU	VA	Z
40	53	38	16	24	M14×1.5	15	20	35	35	6	M6	15	16	34	30	7	19	13	5	160
50	65	46.5	20	32	M16×1.5	20	25	45	40	8	M8	15	11	35	30	8	24	17	6	168
63	75	56.5	20	32	M16×1.5	20	25	45	40	8	M8	15	12	38	30	8	24	17	6	183
80	95	70	25	40	M20×1.5	25	33	58	45	10	M10	12	27	42	35	9	30	22	8	199
100	115	85	25	40	M20×1.5	25	38	63	55	10	M10	12	26	42	35	9	30	22	8	214

Double Acting Cylinder 雙軸式



緩衝行程調整螺絲
Adjusting screw for stroke cushioning

緩衝行程
stroke cushioning L4

標準行程/Standard stroke : 25 · 50 · 80 · 100 · 125 · 150 · 200 · 300 · 400 · 500

※感應缸總長加5mm

The total length for induction cylinder which must added 5mm.

缸徑 Bore dia.	□A	□C	Ød	I	MM	K	F	H	ØB	ØJ	RT	BG	G	N	L4	KY	KX	KU	VA	Z	ZM
40	53	38	16	24	M14×1.5	15	20	35	35	6	M6	15	16	34	30	7	19	13	5	160	165
50	65	46.5	20	32	M16×1.5	20	25	45	40	8	M8	15	11	35	30	8	24	17	6	168	180
63	75	56.5	20	32	M16×1.5	20	25	45	40	8	M8	15	12	38	30	8	24	17	6	183	195
80	95	70	25	40	M20×1.5	25	33	58	45	10	M10	12	27	42	35	9	30	22	8	199	220
100	115	85	25	40	M20×1.5	25	38	63	55	10	M10	12	26	42	35	9	30	22	8	214	240