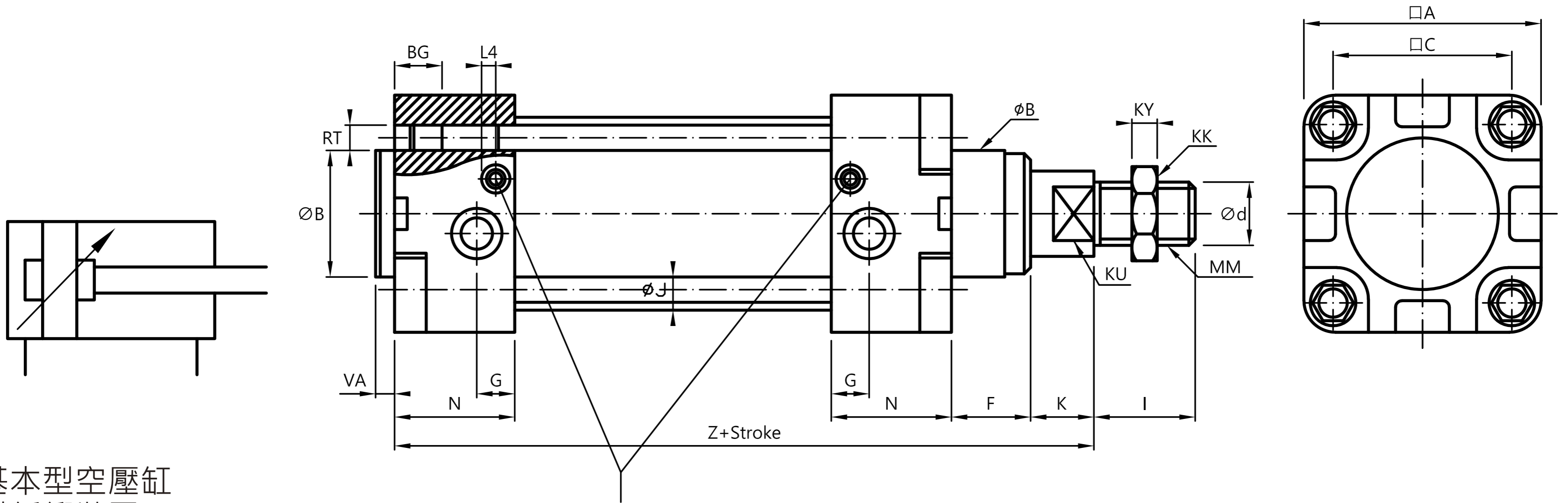


ISO Series 基本型

基本型 Basic type

※ 固定型式可參考空壓缸CS系列
 ※ For the fixed type, please refer to the CS series of air cylinders.



基本型空壓缸
 附緩衝裝置
 Double acting cylinder
 which equipped stroke
 cushioning at both ends

緩衝行程調整螺絲
 Adjusting screw for
 stroke cushioning

緩衝行程
 stroke cushioning L4

標準行程/Standard
 stroke : 25 , 50 , 80 ,
 100 , 125 , 150 , 200 ,
 300 , 400 , 500

非標準行程可接受訂購
 Besides above mentioned
 strokes which available
 on request.

※感應缸總長加5mm

The total length for induction cylinder which must added 5mm.

缸徑 Bore dia.	□A	□C	Ød	I	MM	K	F	H	ØB	ØJ	RT	BG	G	N	L4	KY	KX	KU	VA	Z
40	53	38	16	24	M14×1.5	15	20	35	35	6	M6	15	16	34	30	7	19	13	5	137
50	65	46.5	20	32	M16×1.5	20	25	45	40	8	M8	15	11	35	30	8	24	17	6	153
63	75	56.5	20	32	M16×1.5	20	25	45	40	8	M8	15	12	38	30	8	24	17	6	166
80	95	70	25	40	M20×1.5	25	33	58	45	10	M10	12	27	42	35	9	30	22	8	188
100	115	85	25	40	M20×1.5	25	38	63	55	10	M10	12	26	42	35	9	30	22	8	193